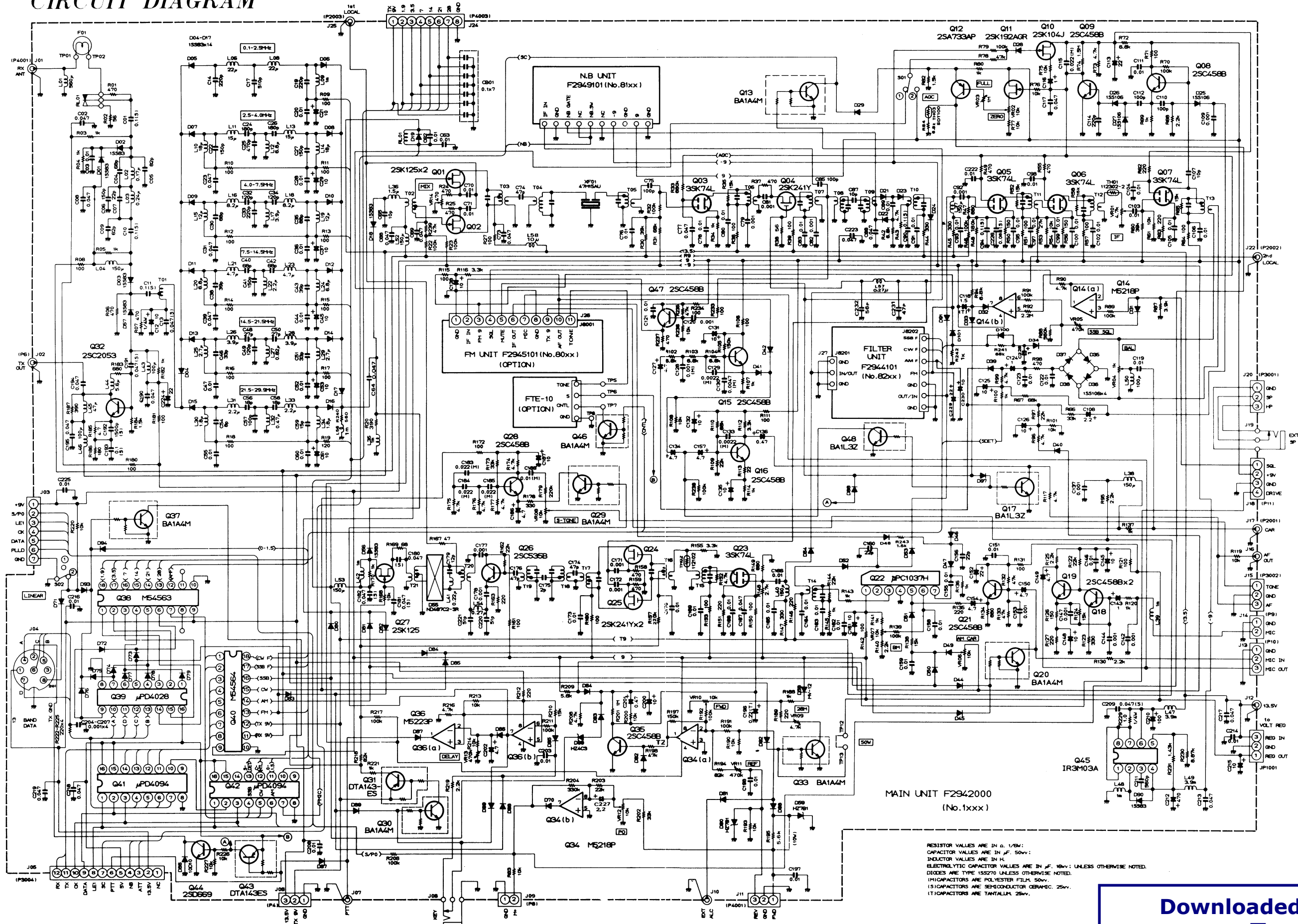


MAIN UNIT

CIRCUIT DIAGRAM



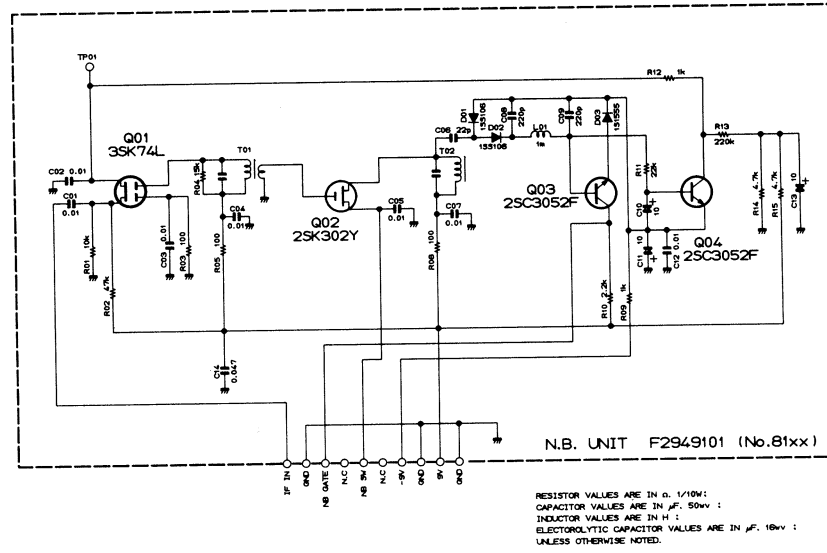
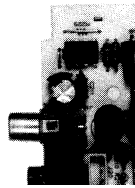
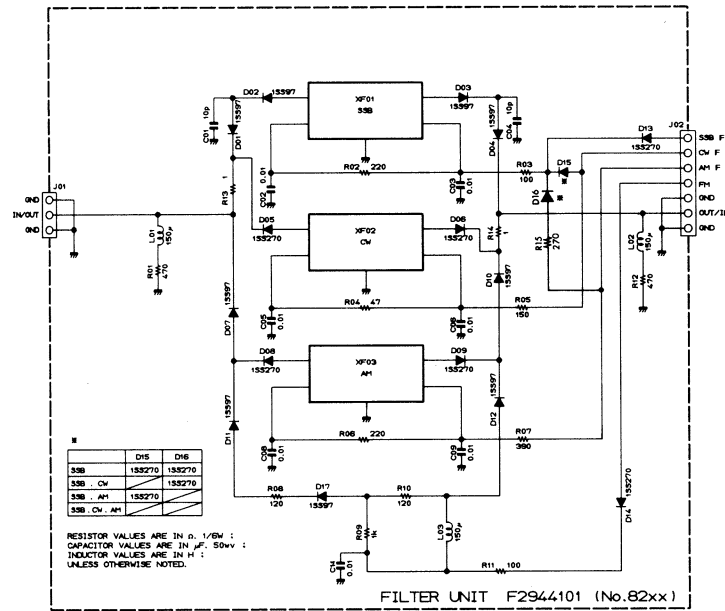
RESISTOR VALUES ARE IN Ω , $k\Omega$, $M\Omega$.
CAPACITOR VALUES ARE IN μF , $50V$.
INDUCTOR VALUES ARE IN μH .
ELECTROLYTIC CAPACITOR VALUES ARE IN μF , $16V$, UNLESS OTHERWISE NOTED.
DIODES ARE TYPE 155270 UNLESS OTHERWISE NOTED.
IC CAPACITORS ARE POLYESTER FILM, $50V$.
15IC CAPACITORS ARE SEMICONDUCTOR CERAMIC, $25V$.
17IC CAPACITORS ARE TANTALUM, $25V$.

Downloaded by

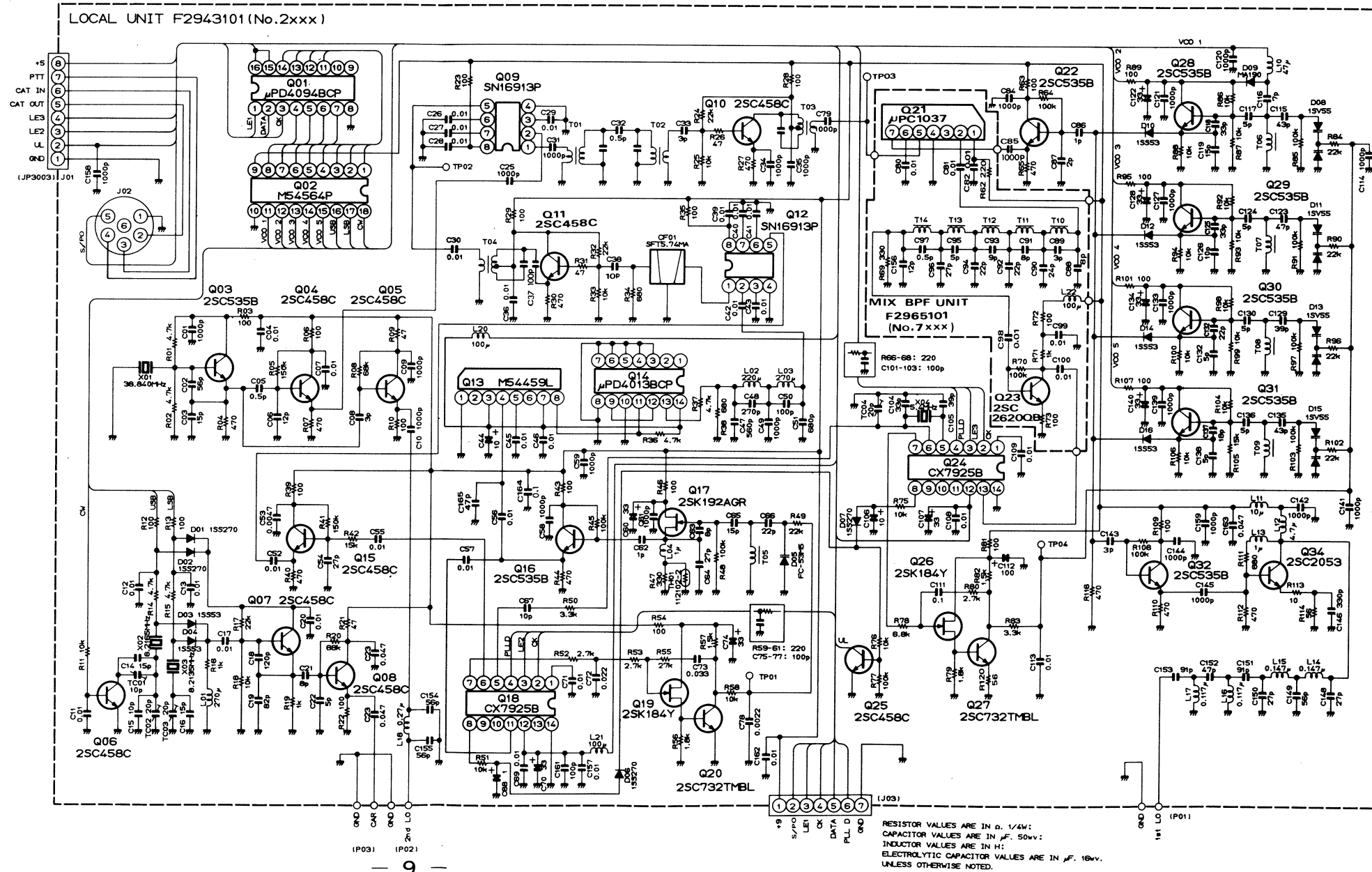
Amateur Radio Directory

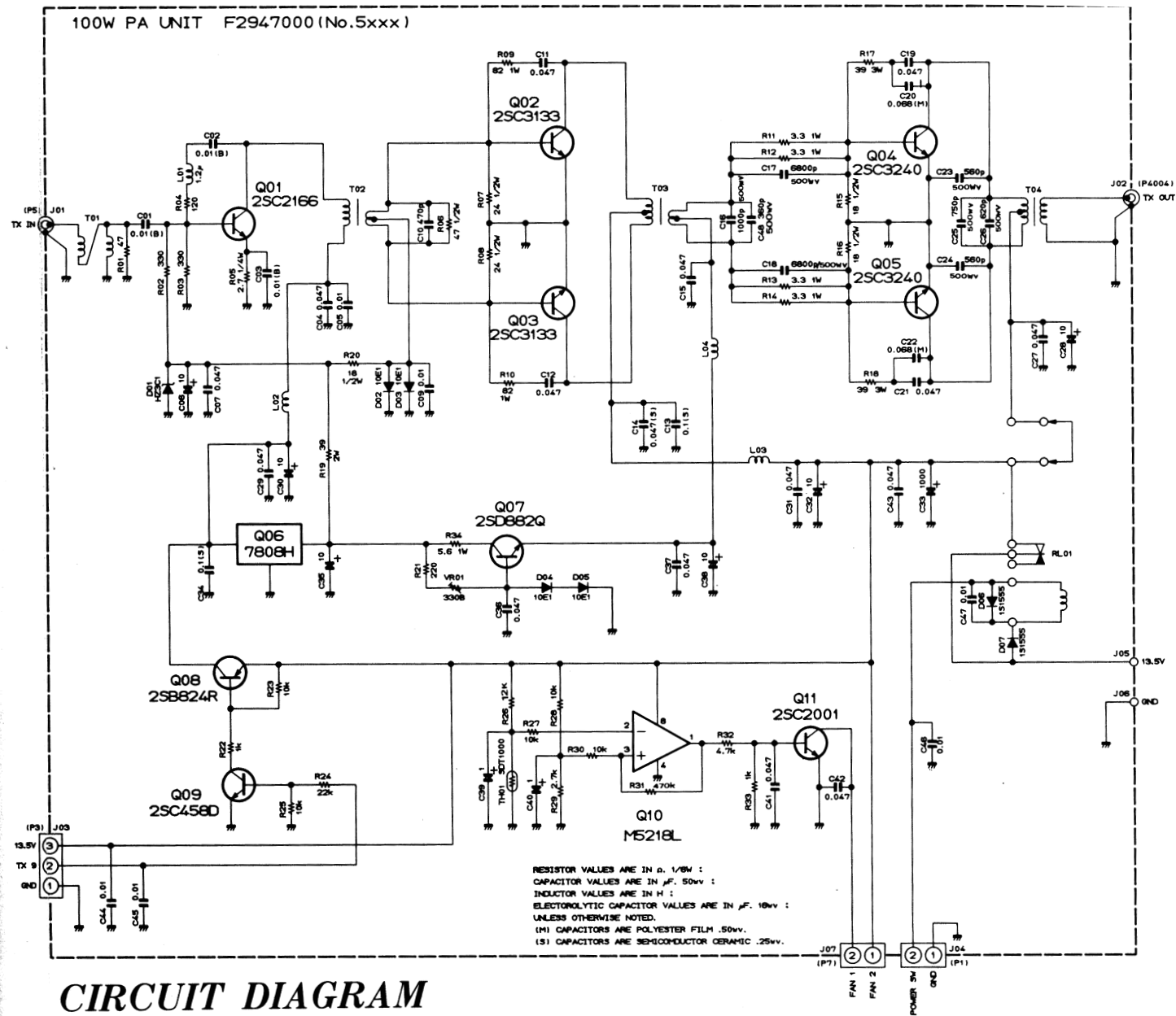
FILTER UNIT CIRCUIT DIAGRAM

NB UNIT CIRCUIT DIAGRAM

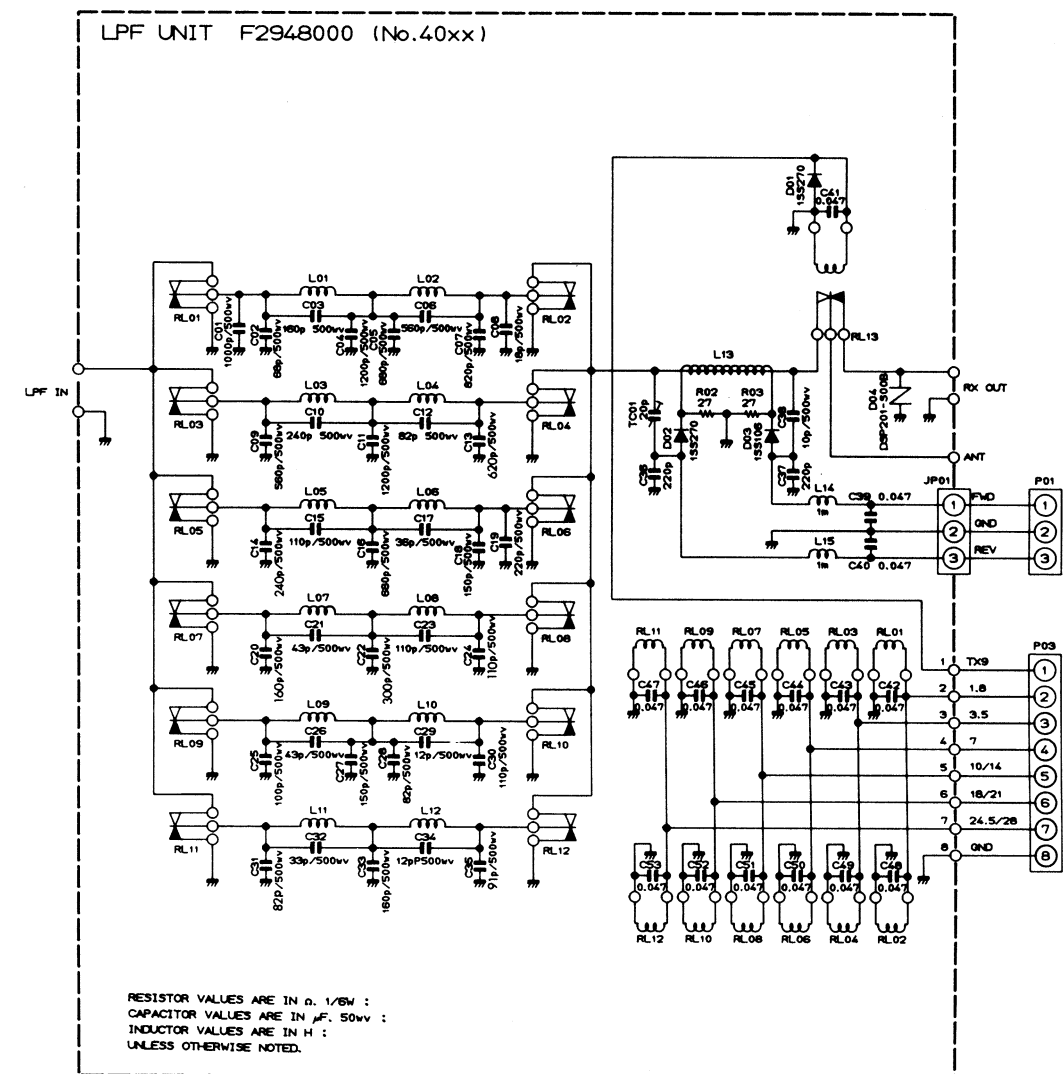


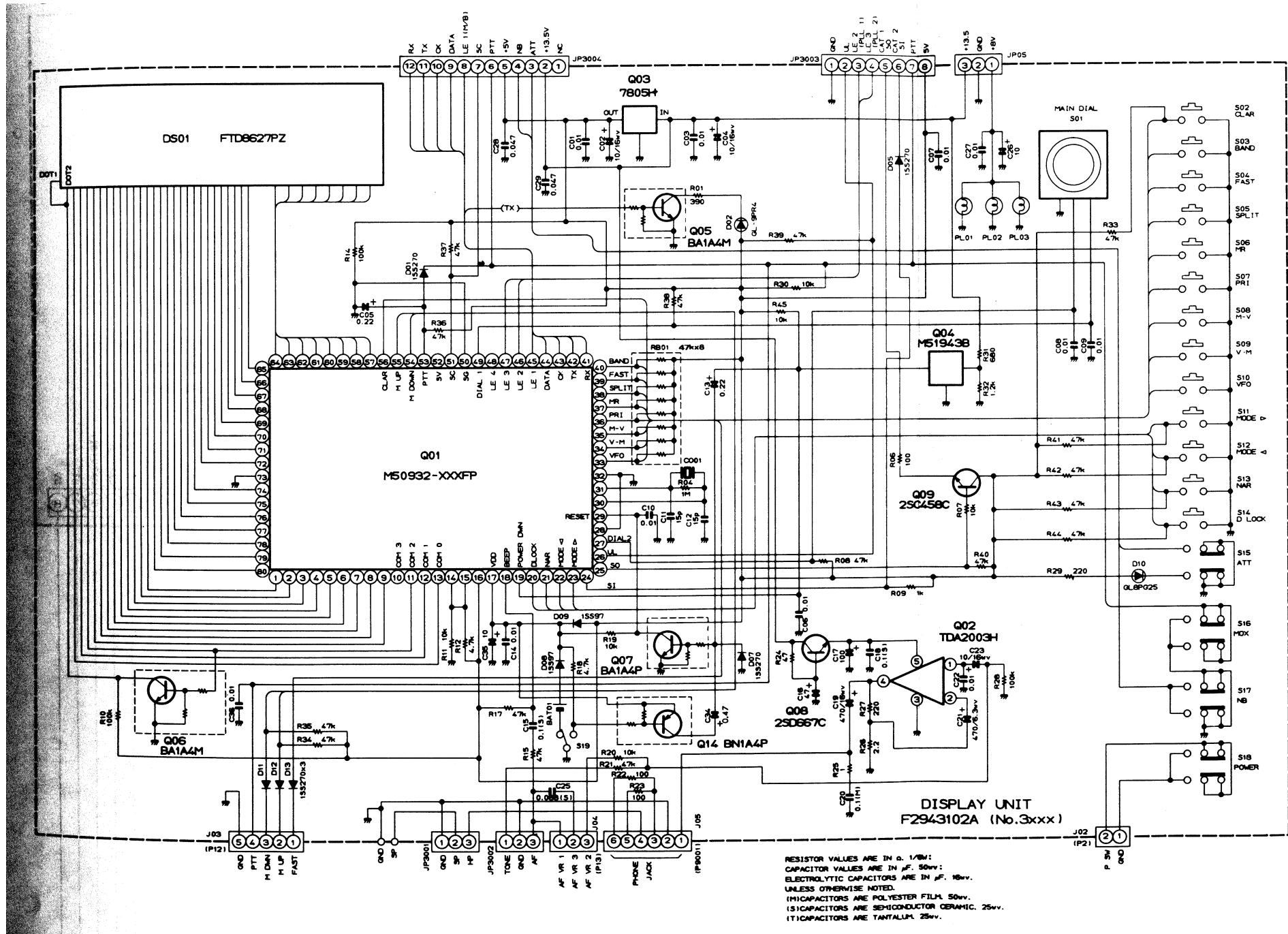
CIRCUIT DIAGRAM





LPF UNIT





RESISTOR VALUES ARE IN Ω , 1/W: CAPACITOR VALUES ARE IN μ F, 50V: ELECTROLYTIC CAPACITORS ARE IN μ F, 16V. UNLESS OTHERWISE NOTED. (MICAPACITORS ARE POLYESTER FILM, 50V. (SICAPACITORS ARE SEMICONDUCTOR CERAMIC, 25V. (TICAPACITORS ARE TANTALUM, 25V.